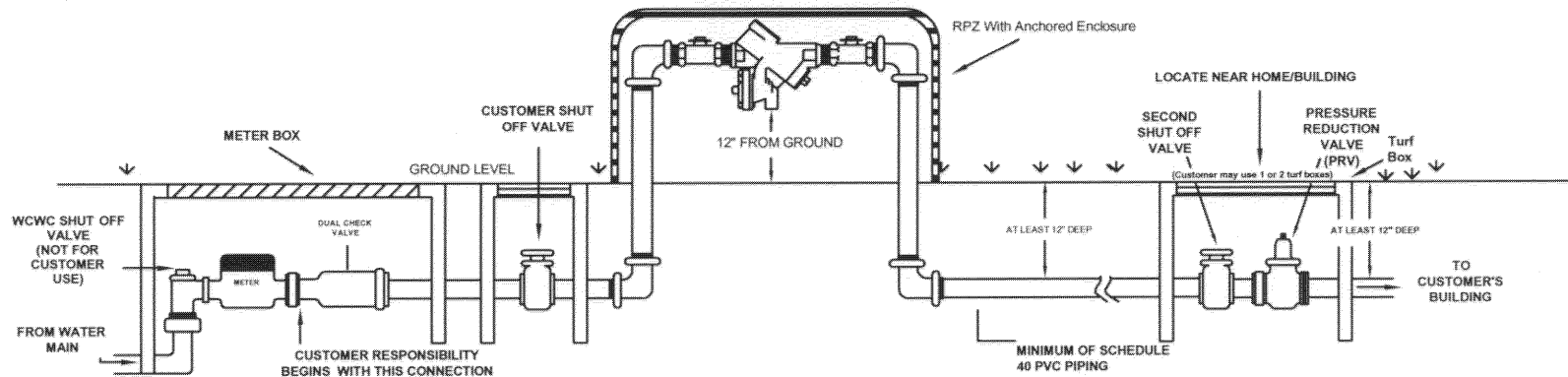


West Carteret Water Corporation Hookup Guide

Reduced Pressure Zone (RPZ) Installation

RPZ REQUIRED FOR IRRIGATION SYSTEMS, DOCKS, & POOLS



Customers are encouraged to continue to use their existing well as long as it is NOT PHYSICALLY CONNECTED to any line that is connected to the water meter.

A minimum of Schedule 40 PVC piping should be installed at least 12-inches deep between the meter and the building. Two shut off valves must be installed, one adjacent to the meter box and the other near the building. We are a gravity fed system and our water pressure is 70-80 psi. It may be higher or lower in areas depending on their relation to sea level. Therefore, we strongly recommend the installation of a pressure reduction valve (PRV) after the customer shut-off valve nearest the building. A PRV will help to reduce the amount of water that you use, as well as, help to protect piping by reducing the strain on joints and fixtures in your home. PRVs can be purchased from hardware or plumbing supply stores and are usually preset at 45-55 p.s.i., but can be adjusted to accommodate your water needs. However, a PRV may not be necessary in cases where a Reduced Pressure Zone (RPZ) is installed. RPZs are a type of backflow prevention device that is required where the meter will be connected to lines that supply but are not limited to irrigation systems, pools, docks, restaurants and greenhouses (For a complete list, please contact our office.) RPZs can decrease pressure by approximately 15 pounds and, therefore, may require adjustment to the PRV or eliminate the need for the PRV altogether. You should discuss this with your plumber to determine what best suits your individual situation.

The North Carolina State Building Code requires a permit for inspections on water service piping between the meter and the structure that it serves. These inspections are performed by the Central Permit Office of Carteret County. You must apply for the permit at the Central Permit Office in the County Administration Building in Beaufort (252-728-8545) at 402 Broad St. or at the Western Carteret Permit Office (252-393-3204) at 701 Cedar Point Blvd. The fee for this inspection is \$50. It is advisable to obtain this permit prior to completing the hookup because an OPEN TRENCH INSPECTION WITH PRESSURE TESTING is required. The county also requires two shut off valves, one at the meter and one at the building. When the hookup is completed, call the appropriate permit office and an inspector will be dispatched to perform the inspection. *Once the approved final inspection is received, the water meter can be turned on, but the water company must receive a copy of the approved final inspection.* The above procedure may require an interruption of water supply to your home or building from the time the completed connection is made until inspected. Please coordinate the work with your plumber and the inspections department. The water company cannot provide you with water service until notified that your connection has been found to be satisfactory.

Call the office at (252) 393-1515 or toll free (877) 393-6829 if further information is necessary.